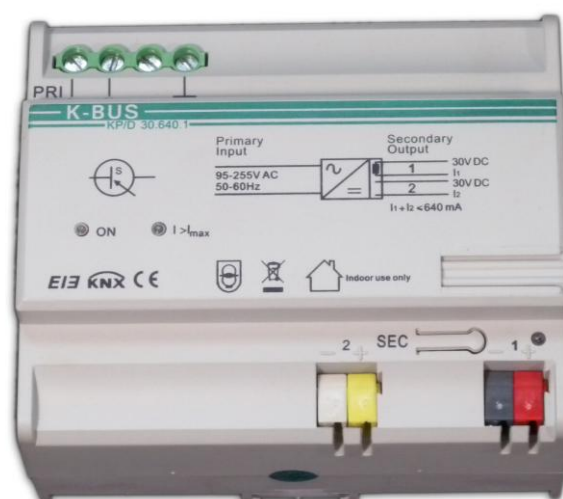


K-BUS Power Supply

User manual-Ver. 1

KP/D30.640.1

Intelligent Installation Systems



Contents

1. Introduction	3
2. Technical Parameter	3
3. Dimension and Connection Diagram.....	4
4. Normal Working Test.....	5

Important safeguards

1) Before use, please read this instruction carefully and use the power supply strictly according to the instruction

2) This power supply is for indoor use only and shall be installed in distribution box which can provide the protection mechanism for avoid electric shock

3) Please keep this equipment from humidity.

4) Before use, the input and output voltage must be checked to secure correct use

5) The cover may under no circumstances be opened. If the cover is damaged, then the adaptor may no longer be used.

6) The power supply shall be installed and used according to national wiring rules.

7) For indoor use only

8) The product is not a toy, keep it where the children can not reach it.

9) The power supply are only supply for EIB / KNX system equipment with bus line connection terminal

10) Correct Disposal of this product:

This marking indicates that this product should not be disposed with other household wastes throughout the EU. To prevent possible harm to the environment or human health from uncontrolled waste disposal, recycle it responsibly to promote the sustainable reuse of material resources. To return your used device, please use the return and collection systems or contact the retailer where the product was purchased. They can take this product for environmental safe recycling.



1. Introduction

EIB/KNX power supply produces and monitors EIB / KNX system voltage. The bus line is decoupled from the power supply with the integrated choke.

The power supply is connected to the bus line with a bus connection terminal. A reset is triggered by pressing the reset push button and lasts 22 seconds (regardless of the duration of the push button action). The bus line disconnected from the power supply and the devices connected to this bus line are returned to their initial state. If the line should be disconnected for a longer period, the bus connection terminal must be removed from power supply.

A 30V DC auxiliary voltage is made available via an additional connection terminal. This voltage can be used to supply a further bus line (in connection with a separate choke).

2. Technical Parameter

Power supply: Input voltage: 95V ~255 Vac, 47~63Hz

Power loss: <6 W

Efficiency: 75%

Output: EIB/KNX output (DPSU): 1 line with integrated choke

EIB/KNX nominal voltage: 30 V DC +1/-2 V, SELV

Auxiliary voltage output: 1 (without choke)

Auxiliary voltage: 30 V DC +1/-1 V, SELV

EIB/KNX nominal current:

(Total of EIB/KNX and auxiliary voltage output) 640 mA, short-circuit-proof

Sustained short-circuit current: < 1.3 A

Mains failure back-up time: >200ms

Operating/Display:

Green LED "ON": output voltage is OK;

Red LED " $I > I_{max}$ ": overload or short circuit

Reset push button: reset at the EIB / KNX output (starts when the push button is pressed and lasts 22 seconds);

Red LED: Reset at the EIB/KNX output.

Connection: power supply: 2-screw terminals

Cable cross-section: single-core 0.2—4.0mm²

Multi-core 0.2—2.5mm²

EIB/KNX output: Bus connection terminal (black/red)

Auxiliary voltage output: connection terminal (yellow/grey)

IP Grade: IP 00, EN 60529

Ambient temperature range:

Operation: -5 °C ~ + 45 °C

Storage: - 25 °C ~ + 55 °C

Transport: - 25 °C ~ + 70 °C

Housing & Color: plastic, white

Mounting: On 35mm mounting rail

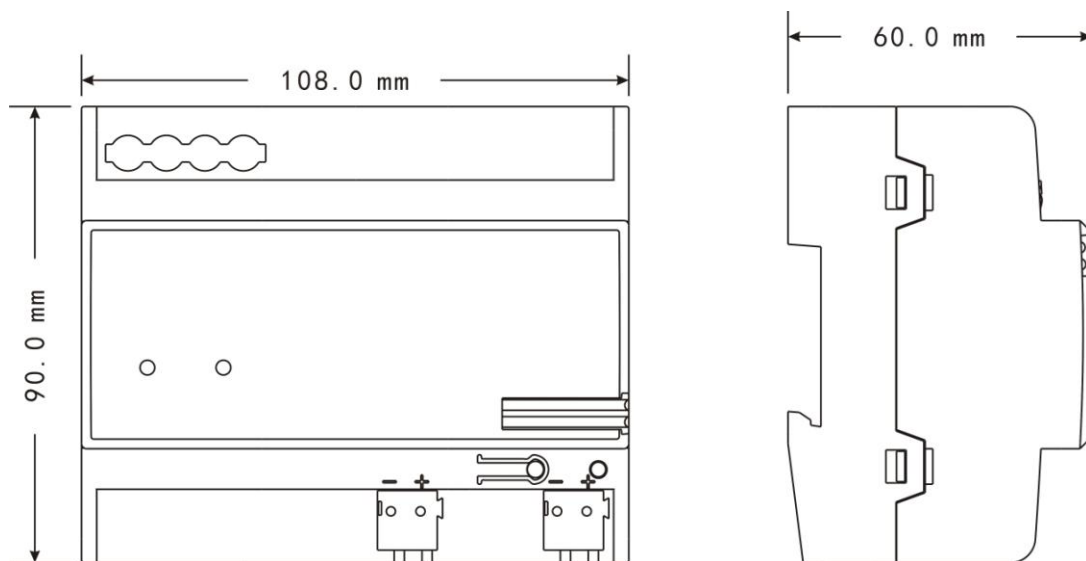
Dimension: 90x108x70.56mm (HxWxD)

Weight: 0.2kg

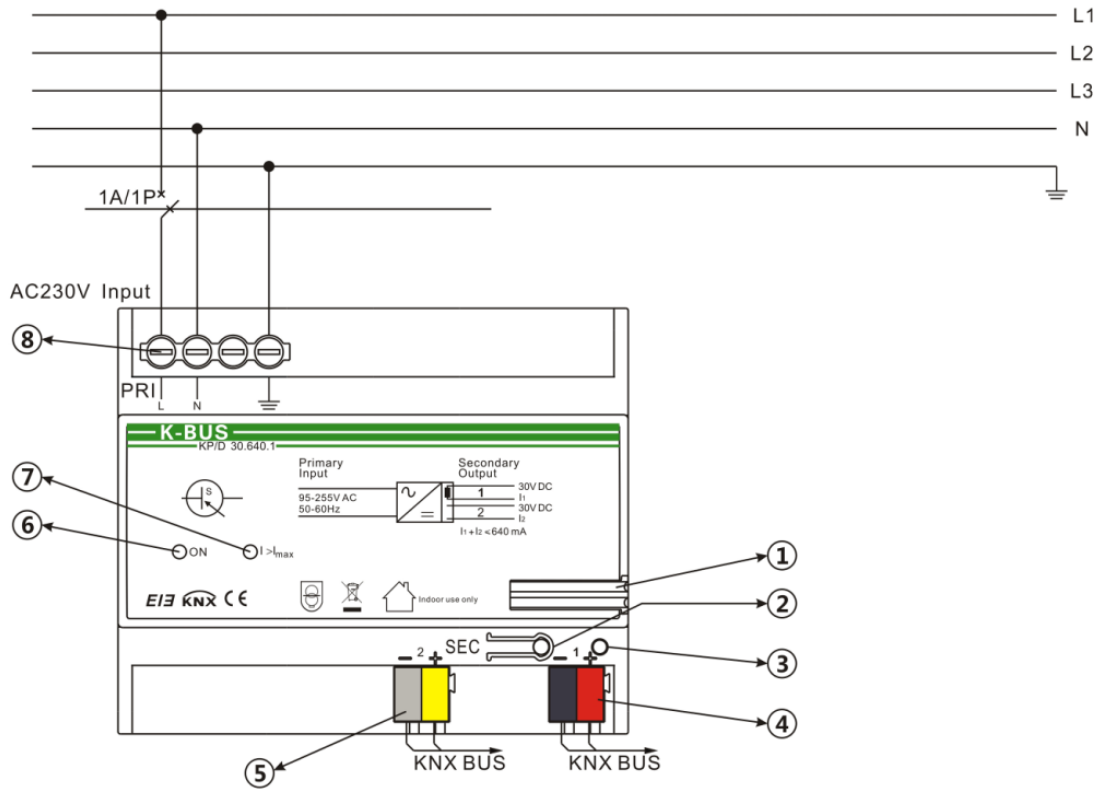
CE norm: In accordance with the EMC guideline and the low voltage guideline

3. Dimension and Connection Diagram

◆ Dimension drawing:



◆ Connection Diagram:



- 1. Label carrier
- 2. Reset push button
- 3. Red LED (Reset)
- 4. Bus connection terminal (EIB/KNX output)
- 5. Connection terminal (auxiliary voltage output)
- 6. Green LED (output voltage is ok)
- 7. Red LED (overload/ short circuit)
- 8. Mains supply

4. Normal Working Test

Switch on the mains voltage once the device has been correctly installed, the green LED “ON”, all other LEDs are switched off, the device is functioning correctly.